

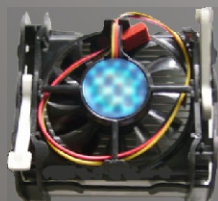
**BESTFLOW**

# 佰斯特电机有限公司

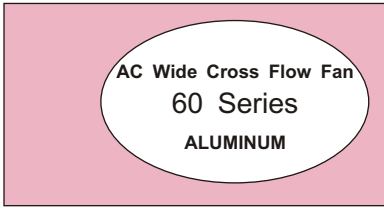
**BESTFLOW MOTOR CO., Ltd**

专业制造:

直流无刷CPU散热风扇  
直流无刷散热轴流风扇  
直流无刷散热离心风扇  
直流无刷散热横流风扇  
交流散热轴流风扇  
交流散热离心风扇  
交流散热横流风扇  
轴流风扇金属护网  
轴流风扇防尘护网



**WWW. BESTFLOW. CN**



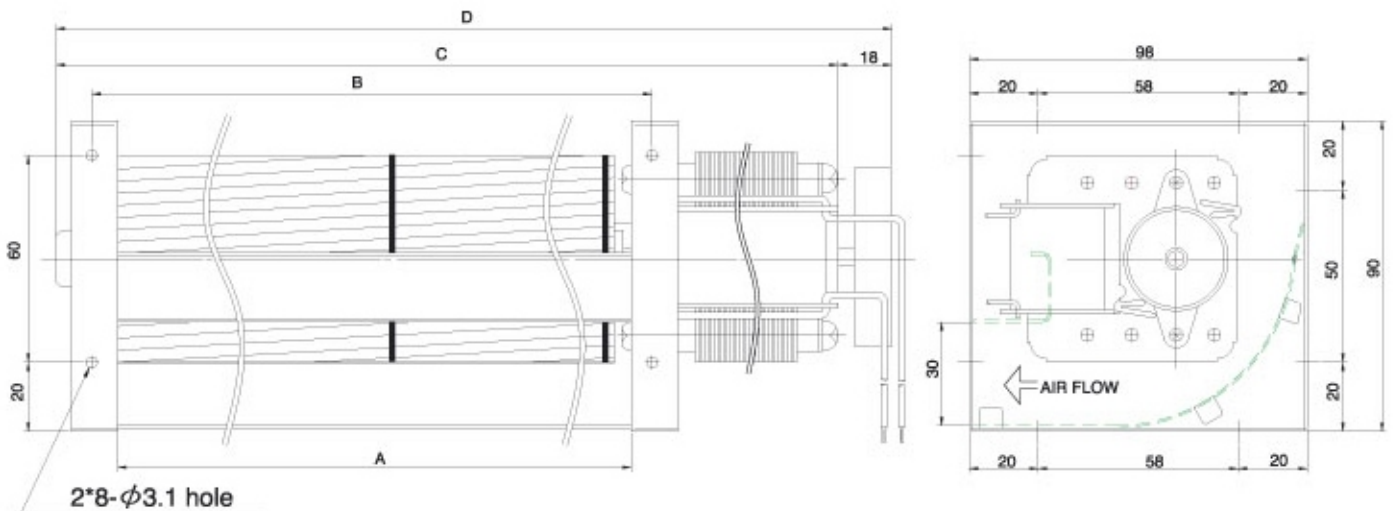
1.8/5.0	M <sup>3</sup>
120/230	VAC
28/44	WATT
RA	TUV
ISO	GS
	(EMC)
	(LVD)
	VDE

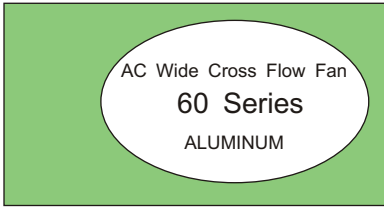
## SPECIFICATION

Model (Order Number)	Size (Mm)				Rated Voltage VAC	Rated Frequency Hz	Rated Current A	Input Power W	Speed R. P. M	Static Pressure MmHq	MAX AirFlow M <sup>3</sup> /Min	Noise DB	Weight G	Safety	
	A	B	C	D										UL	CE
KS6012BA12B10	123	138	191		110	50/60	0.23/0.21	28	2100/2350	2.7	1.8	43	1030		*
KS6012BA22B10	123	138	191		230	50/60	0.12/0.11	28	2100/2350	2.5	1.8	43	1030		*
KS6018BA12B20L	184	199	257		110	50/60	0.31/0.29	32	1700/1800	3.4	2.3	41	1260		*
KS6018BA22B20L	184	199	257		230	50/60	0.16/0.14	32	1900/2000	3.0	2.3	43	1260		*
KS6018BA12B20H	184	199	262	280	110	50/60	0.58/0.56	41	2350/2500	4.8	3.0	47	1440	*	*
KS6018BA22B20H	184	199	262	280	230	50/60	0.26/0.24	44	2500/2500	4.8	3.0	47	1440	*	*
KS6024BA12B30L	245	260	323		110	50/60	0.43/0.41	38	1700/1800	4.0	2.9	39	1470		*
KS6024BA22B30L	245	260	323		230	50/60	0.20/0.19	44	2100/2200	3.7	3.2	45	1470		*
KS6024BA12B30H	245	260	323	341	110	50/60	0.59/0.57	42	2000/2100	5.2	3.0	44	1480	*	*
KS6024BA22B30H	245	260	323	341	230	50/60	0.27/0.25	44	2200/1800	5.0	3.2	45	1480	*	*
KS6030BA12B40	306	321	384	402	110	50/60	0.60/0.59	41	1900/2000	5.6	4.4	44	1520	*	*
KS6030BA22B40	306	321	384	402	230	50/60	0.30/0.27	44	2100/1650	5.3	4.1	44	1520	*	*
KS6036BA12B50	368	383	446	464	110	50/60	0.61/0.58	42	1600/1700	6.0	4.2	40	1620	*	*
KS6036BA22B50	368	383	446	464	230	50/60	0.31/0.27	44	2100/1350	5.6	4.8	44	1620	*	*
KS6042BA12B60	429	444	507	525	110	50/60	0.62/0.60	42	1500/1600	6.5	5.0	40	1670	*	*
KS6042BA22B60	429	444	507	525	230	50/60	0.31/0.28	44	1800/1100	5.8	5.0	44	1670	*	*

Motor Design : AC Shaded Motors. \*Medium Speed &\*Low Speed.  
 Bobbin : High Temperature resistance Non-flammable thermoplastic PBT UL 94V-0 rating.  
 Frame : Aluminum Case.  
 Impeller : Aluminum Case.  
 Direction of Rotation : Counter-Clockwise Viewed From Fan Blade.  
 Operating Temperature : -20 to +100 Deg.c.  
 Storage Temperature : -40 to +100 Deg.c.  
 Bearing System : Precise Ball Bearing or Sleeve Bearing System.  
 Leads-Terminals : Leads or Terminals.  
 Tolerances : 15% on rated Power & Current.  
 Special Design Is Available on Request.

## DIMENSION





5.5/6.5	M <sup>3</sup>
120/230	VAC
2845	WATT
ISO	

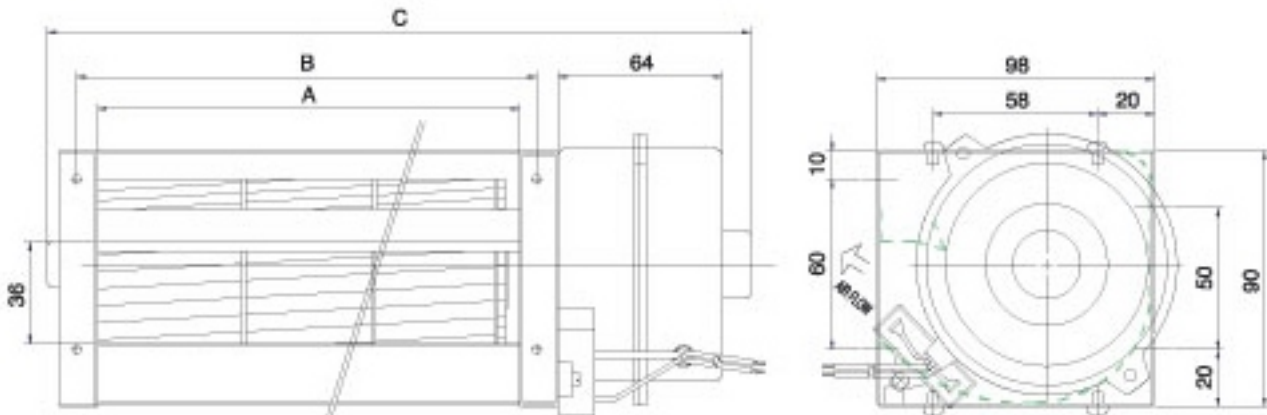
**SPECIFICATION**

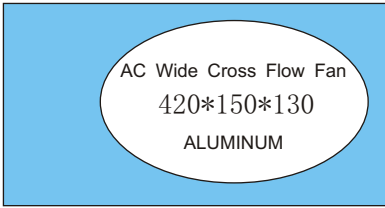
Motor Type: AC Capacitor Motor 1P/A1-2

Model (Order Number)	Size (Mm)			Rated Voltage VAC	Rated Frequency Hz	Rated Current A	Input Power W	Speed R. P. M	Static Pressure MmHg	MAX AirFlow M <sup>3</sup> /Min	Noise DB	Weight G	Safety	
	A	B	C										UL	CE
KSC6030BA12B10	306	321	411	110	60	0.23/0.21	28	2700	11	5.6	53	1725	*	*
KSC6030BA22B10	306	321	411	230	50	0.12/0.11	28	2600	9.6	5.3	51		*	*
KSC6030BA22B10H	306	321	411	230	50/60	0.31/0.29	32	2550/2700	9.6/11	5.3/5.6	51/53		*	*
KSC6036BA12B20	368	383	473	110	60	0.16/0.14	32	2700	11.5	6.2	55	2200	*	*
KSC6036BA22B20	368	383	473	230	50	0.58/0.56	41	2600	10	6.0	53		*	*
KSC6036BA22B20H	368	383	473	230	50/60	0.26/0.24	44	2550/2700	10/11.5	6.0/6.2	53/55		*	*
KSC6042BA12B30	429	444	534	110	60	0.43/0.41	38	2700	12	6.5	56	2280	*	*
KSC6042BA22B30	429	444	534	230	50	0.20/0.19	44	2600	11	6.5	56		*	*
KSC6042BA12B30H	429	444	534	230	50/60	0.59/0.57	42	2550/2700	11/12.7	6.5	56		*	*

Motor Design : AC Capacitor Motors. \*Medium Speed & \*Low Speed.  
 Bobbin : High Temperature resistance Non-flammable thermoplastic PBT UL 94V-0 rating.  
 Frame : Aluminum Case.  
 Impeller : Aluminum Case.  
 Direction of Rotation : Counter-Clockwise Viewed From Fan Blade.  
 Operating Temperature : -20 to +100 Deg.c.  
 Storage Temperature : -40 to +100 Deg.c.  
 Bearing System : Precise Ball Bearing or Sleeve Bearing System.  
 Leads-Terminals : Leads or Terminals.  
 Tolerances : 15% on rated Power & Current.  
 Special Design Is Available on Request.

**DIMENSION**





4.5/5.0	M <sup>3</sup>
120/230	VAC
33/31	WATT
RA	TUV
ISO	GS
	(EMC)
	(LVD)
	VDE

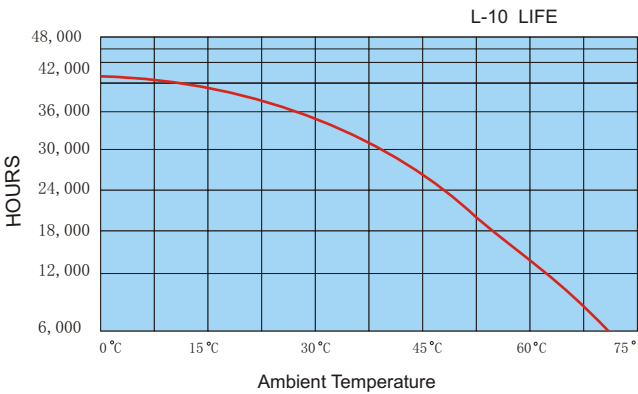
## SPECIFICATION

Dimensions (Mm)	Model (Order number)	Frequency (Hz)	Rated (VAC)	Range Current (AMP)	Locked Current (AMP)	Input Power (W)	Speed (Reference) (RPM)	MAX AirFlow (M <sup>3</sup> /min)	Static Pressure (MmH2O)	Noise Level (DBA)	Weight (Kg)
9029 SERIES	KS9029CBA12B10	50	120	0.28	0.42	33	1350	4.5	3.5	43	3.0
	KS9029CBA12B20	60	120	0.27	0.41	31	1560	5.0	4.0	46	3.0
	KS9029CBA23B10	50	230	0.14	0.20	33	1350	4.5	3.5	43	3.0
	KS9029CBA23B20	50	230	0.13	0.19	31	1560	5.0	4.0	46	3.0

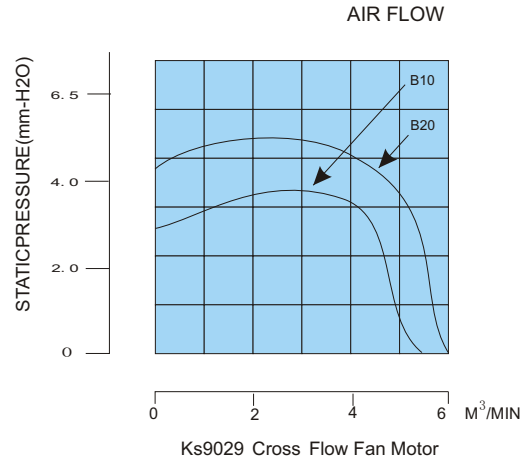
Motor Design  
 Size  
 Frame  
 Impeller  
 Insulation Resistance  
 Dielectric Withstand Voltage  
 Ambient Temperature  
 Bearing System  
 Leads-Terminals  
 Tolerances

: Capacitor Thermally Protected Motor \*Medium speed\*Low speed.  
 : 420mmX150mmX130mm.  
 : Steel with black painting.  
 : Plastic&Aluminum.  
 : Above 100M DC500V.  
 : AC1500V( 50/60Hz ) one min.  
 : Ball Bearing: -40 °C to +70 °C Sleeve Bearing:-40 °C to +70 °C.  
 : Precise Ball Bearing System.  
 : Leads.  
 : 15% on rated Power & Current.

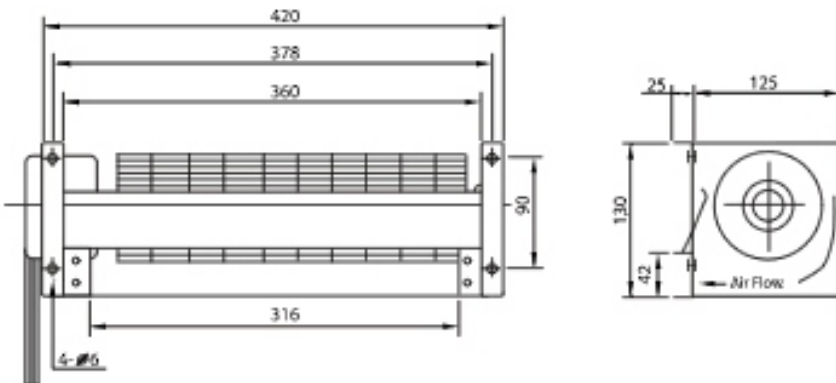
## LIFE EXPECTANCY



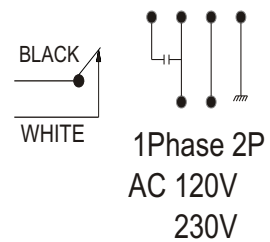
## PERFORMANCE CURVE



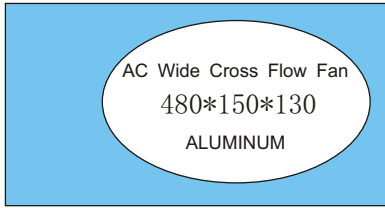
## DIMENSION



## AC INPUT



Ks9029 AC Wide Cross Flow Fan



7.0/7.5	M <sup>3</sup>
120/230	VAC
38/42	WATT
RA	TUV
ISO	GS
	(EMC)
	(LVD)
	VDE

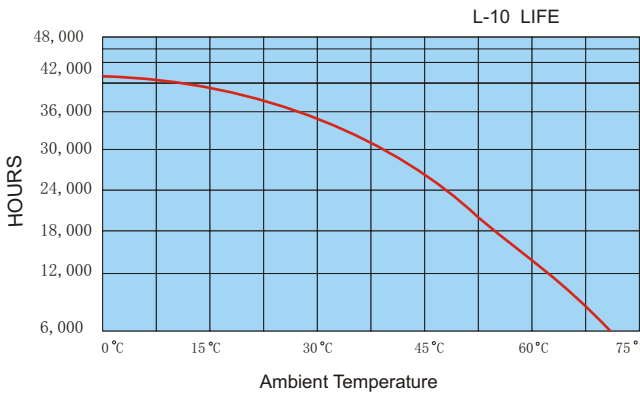
## SPECIFICATION

Dimensions (Mm)	Model (Order number)	Frequency (Hz)	Rated (VAC)	Range Current (AMP)	Locked Current (AMP)	Input Power (W)	Speed (Reference) (RPM)	MAX AirFlow (M <sup>3</sup> /min)	Static Pressure (MmH2O)	Noise Level (DBA)	Weight (Kg)
9035 SERIES	KS9035CBA12B10	50	120	0.41	0.75	38	1400	7.0	3.5	46	3.3
	KS9035CBA12B20	60	120	0.37	0.70	42	1600	7.5	4.0	51	3.3
	KS9035CBA23B10	50	230	0.22	0.40	38	1400	7.0	3.5	46	3.3
	KS9035CBA23B20	50	230	0.20	0.38	42	1600	7.5	4.0	51	3.3

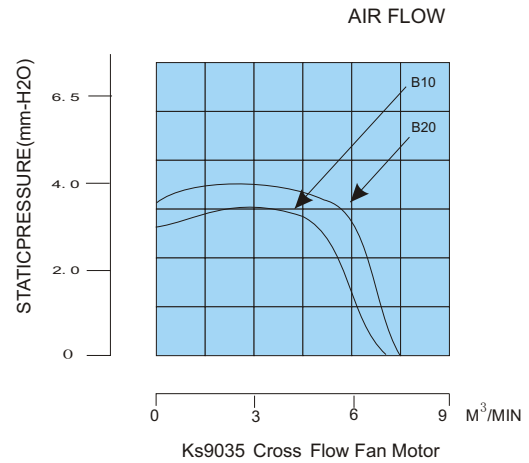
Motor Design  
Size  
Frame  
Impeller  
Insulation Resistance  
Dielectric Withstand Voltage  
Ambient Temperature  
Bearing System  
Leads-Terminals  
Tolerances

: Capacitor Thermally Protected Motor \*Medium speed&\*Low speed.  
: 480mmX150mmX130mm.  
: Steel with black painting.  
: Plastic&Aluminum.  
: Above 100M DC500V.  
: AC1500V( 50/60Hz ) one min.  
: Ball Bearing: -40 °C to +70 °C Sleeve Bearing:-40 °C to +70 °C.  
: Precise Ball Bearing System.  
: Leads.  
: 15% on rated Power & Current.

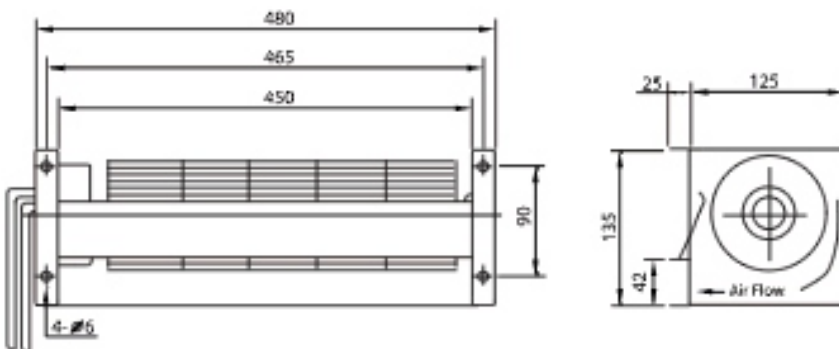
## LIFE EXPECTANCY



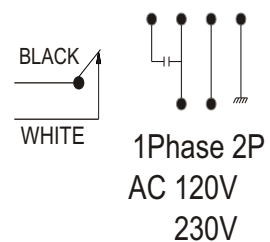
## PERFORMANCE CURVE



## DIMENSION

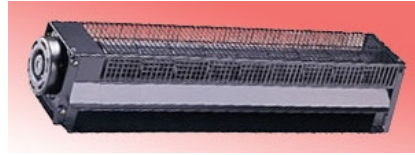
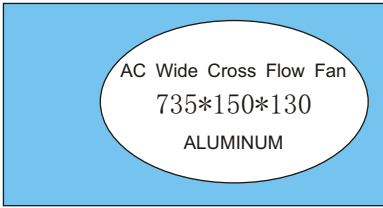


## AC INPUT



Ks9035 AC Wide Cross Flow Fan





15.5/15	M <sup>3</sup>
120/230	VAC
130/160	WATT
RA	TUV
ISO	GS
	(EMC)
	(LVD)
	VDE

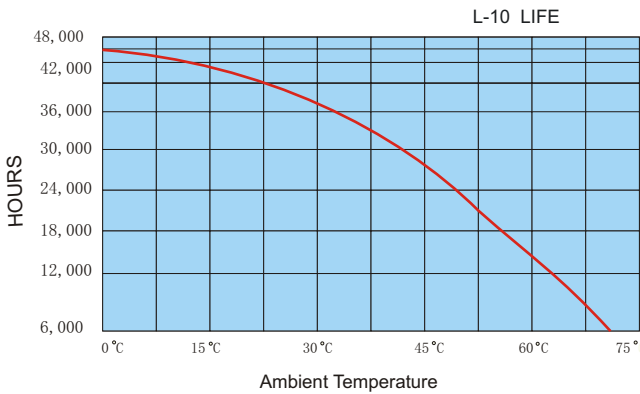
## SPECIFICATION

Dimensions (Mm)	Model (Order number)	Frequency (Hz)	Rated (VAC)	Range Current (AMP)	Locked Current (AMP)	Input Power (W)	Speed (Reference) (RPM)	MAX AirFlow (M <sup>3</sup> /min)	Static Pressure (MmH2O)	Noise Level (DBA)	Weight (Kg)
9060 SERIES	KS9060CBA12B10	50	120	1.00	1.40	130	2150	15.5	11	55	5.3
	KS9060CBA12B20	60	120	1.25	1.40	160	2100	15.0	9	54	5.3
	KS9060CBA23B10	50	230	0.55	0.75	130	2150	15.5	11	55	5.3
	KS9060CBA23B20	50	230	0.70	0.75	160	2100	15.0	9	54	5.3

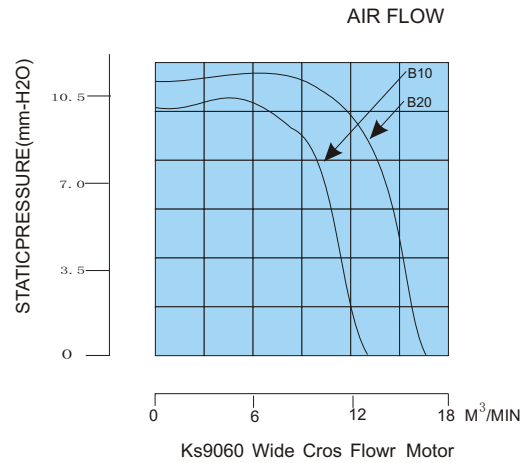
Motor Design  
 Size  
 Frame  
 Impeller  
 Insulation Resistance  
 Dielectric Withstand Voltage  
 Ambient Temperature  
 Bearing System  
 Leads-Terminals  
 Tolerances

: Capacitor Thermally Protected Motor \*Medium speed\*Low speed.  
 : 735mmX150mmX130mm.  
 : Steel with black painting.  
 : Plastic&Aluminum.  
 : Above 100M DC500V.  
 : AC1500V( 50/60Hz ) one min.  
 : Ball Bearing: -40 °C to +70 °C Sleeve Bearing:-40 °C to +70 °C.  
 : Precise Ball Bearing System.  
 : Leads.  
 : 15% on rated Power & Current.

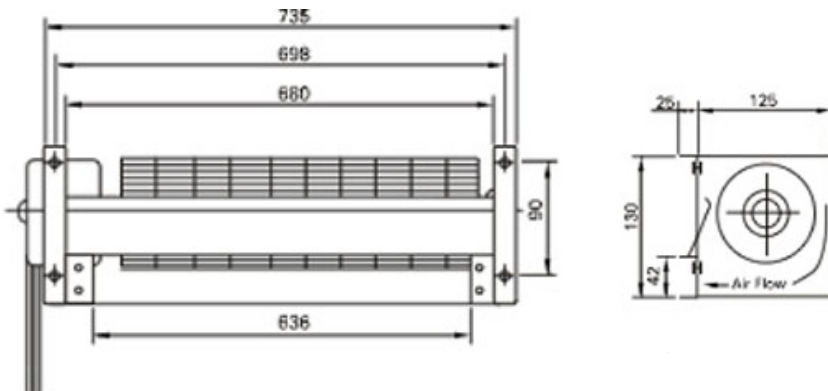
## LIFE EXPECTANCY



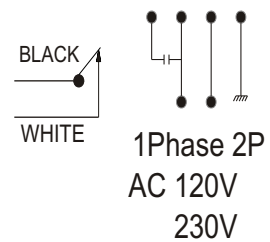
## PERFORMANCE CURVE



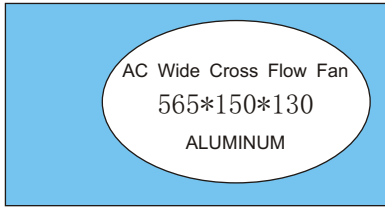
## DIMENSION



## AC INPUT



Ks9060 AC Wide Cross Flow Fan



8.5/10	M <sup>3</sup>
120/230	VAC
43/50	WATT
ISO	

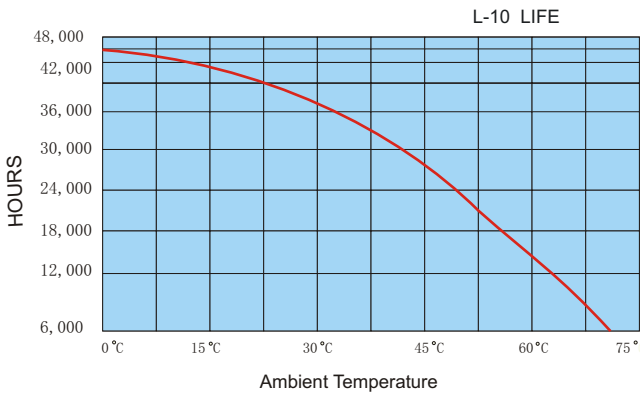
## SPECIFICATION

Dimensions (Mm)	Model (Order number)	Frequency (Hz)	Rated (VAC)	Range Current (AMP)	Locked Current (AMP)	Input Power (W)	Speed (Reference) (RPM)	MAX AirFlow (M <sup>3</sup> /min)	Static Pressure (MmH2O)	Noise Level (DBA)	Weight (Kg)
9446 SERIES	KS9446CBA12B10	50	120	0.40	0.60	43	1350	8.5	3.5	48	3.6
	KS9446CBA12B20	60	120	0.42	0.60	50	1550	10.0	5.0	53	3.6
	KS9446CBA23B10	50	230	0.20	0.31	43	1350	8.5	3.5	48	3.6
	KS9446CBA23B20	50	230	0.23	0.31	50	1550	10.0	5.0	53	3.6

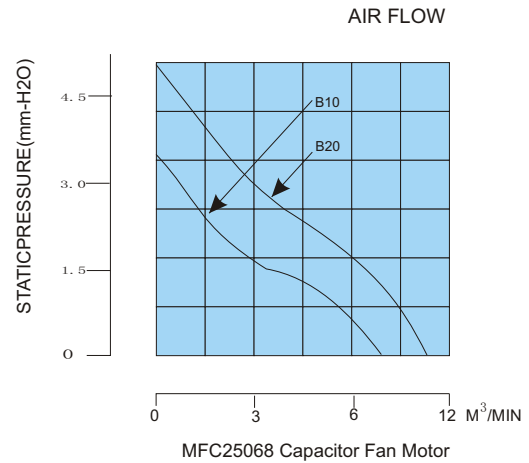
Motor Design  
 Size  
 Frame  
 Impeller  
 Insulation Resistance  
 Dielectric Withstand Voltage  
 Ambient Temperature  
 Bearing System  
 Leads-Terminals  
 Tolerances

: Capacitor Thermally Protected Motor \*Medium speed\*Low speed.  
 : 565mmX150mmX130mm.  
 : Steel with black painting.  
 : Plastic&Aluminum.  
 : Above 100M DC500V.  
 : AC1500V( 50/60Hz ) one min.  
 : Ball Bearing: -40 °C to +70 °C Sleeve Bearing:-40 °C to +70 °C.  
 : Precise Ball Bearing System.  
 : Leads.  
 : 15% on rated Power & Current.

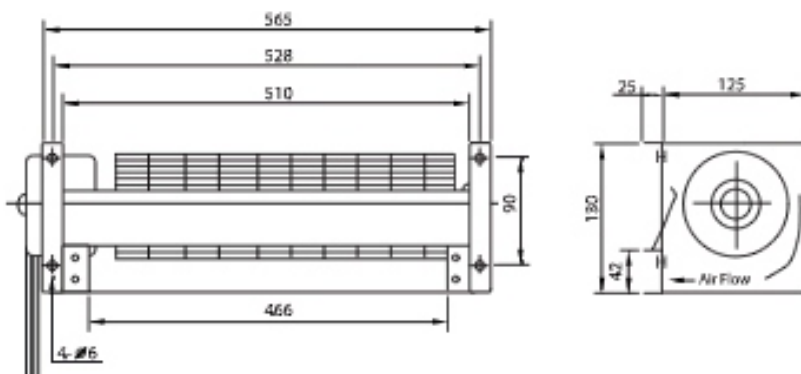
## LIFE EXPECTANCY



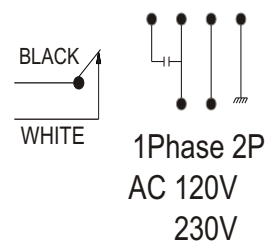
## PERFORMANCE CURVE



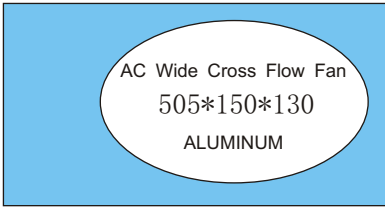
## DIMENSION



## AC INPUT



Ks9060 AC Wide Cross Flow Fan



8.5/9.0	M <sup>3</sup>
120/230	VAC
43/50	WATT
RA	TUV
ISO	GS
	(EMC)
	(LVD)
	VDE

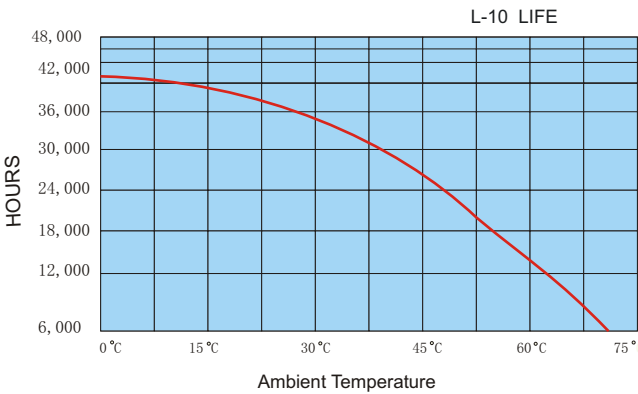
## SPECIFICATION

Dimensions (Mm)	Model (Order number)	Frequency (Hz)	Rated (VAC)	Range Current (AMP)	Locked Current (AMP)	Input Power (W)	Speed (Reference) (RPM)	MAX AirFlow (M <sup>3</sup> /min)	Static Pressure (MmH2O)	Noise Level (DBA)	Weight (Kg)
9439 SERIES	KS9439CBA12B10	50	120	0.40	0.65	43	1400	8.5	4.0	48	3.5
	KS9439CBA12B20	60	120	0.42	0.63	50	1600	9.0	4.5	53	3.5
	KS9439CBA23B10	50	230	0.20	0.33	43	1400	8.5	4.0	48	3.5
	KS9439CBA23B20	50	230	0.23	0.33	50	1600	9.0	4.5	53	3.5

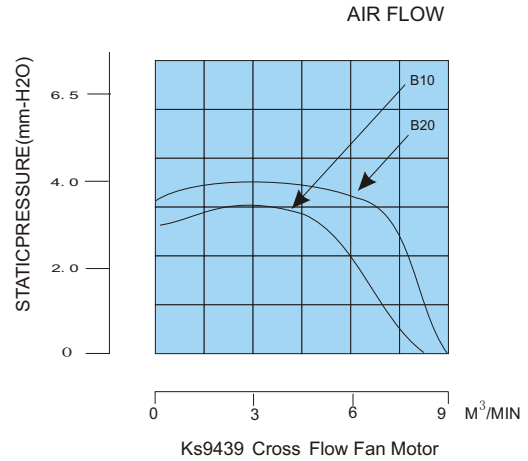
Motor Design  
 Size  
 Frame  
 Impeller  
 Insulation Resistance  
 Dielectric Withstand Voltage  
 Ambient Temperature  
 Bearing System  
 Leads-Terminals  
 Tolerances

: Capacitor Thermally Protected Motor \*Medium speed&\*Low speed.  
 : 505mmX150mmX130mm.  
 : Steel with black painting.  
 : Plastic&Aluminum.  
 : Above 100M DC500V.  
 : AC1500V( 50/60Hz ) one min.  
 : Ball Bearing: -40 °C to +70 °C Sleeve Bearing:-40 °C to +70 °C.  
 : Precise Ball Bearing System.  
 : Leads.  
 : 15% on rated Power & Current.

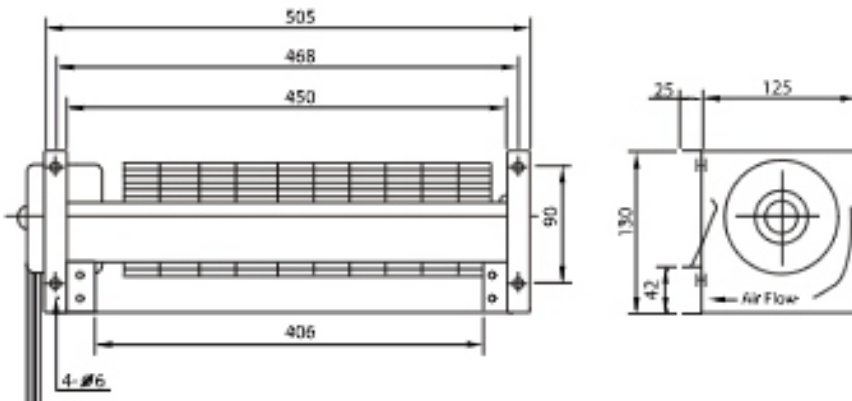
## LIFE EXPECTANCY



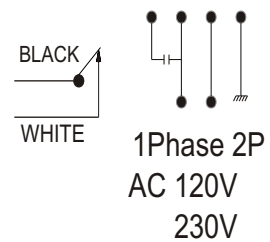
## PERFORMANCE CURVE



## DIMENSION



## AC INPUT



Ks9439 AC Wide Cross Flow Fan