

SMD SHIELDED POWER INDUCTORS

COMPONENT

PRODUCT IDENTIFICATION



SRBQ2D11A - 1R0 N

A C D

A : SMT Shielded Power Inductors For RoHS

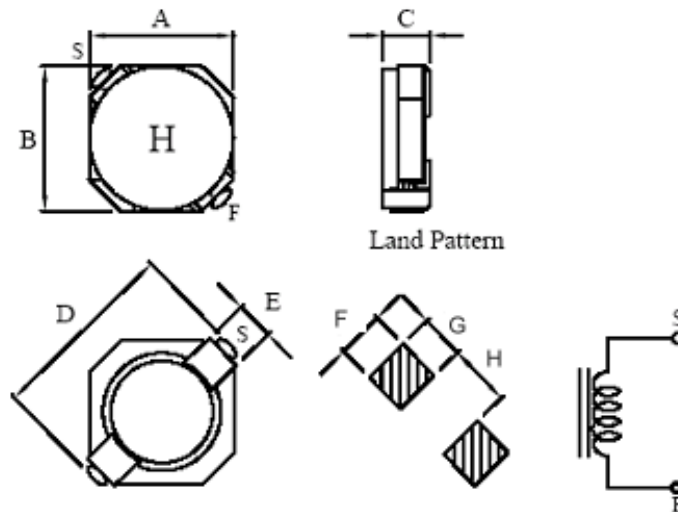
B : Inductance

C : Tolerance (M 20%, N 30%)

APPLICATIONS

- DC-DC converter of portable equipment.
- Camcorder, LCD television set, Digital camera, P.D.A., Notebook.
- Small size communication equipment.

SHAPES & DIMENSIONS



Type	A (max)	B (max)	C (max)	D (max)	E (Ref.)	F	G	H
SRBQ2D11A	3.2	3.2	1.2	4.3	1.0	1.3	1.3	1.7
SRBQ3D11A	4.0	4.0	1.2	-	1.0	1.5	1.4	2.4

SMD SHIELDED POWER INDUCTORS

COMPONENT

ELECTRICAL CHARACTERISTICS

SRBQ 2D11A / 3D11A SERIES

Inductance		2D11A					3D11A				
Code	(uH)	MARK	Test Freq. (Hz)	RDC (Ω) Max.	IDC (A) Max.	I rms (A) (max)	MARK	Test Freq. (Hz)	RDC (Ω) Max.	IDC (A) Max.	I rms (A) (max)
1R0N	1.00	R	100K	0.0624	1.55	1.90	-	-	-	-	-
1R2N	1.20	V	100K	0.0600	1.52	1.75	Z	100K	0.0468	1.8	2.1
1R5N	1.50	B	100K	0.0819	1.35	1.60	B	100K	0.0624	1.6	1.9
1R8N	1.80	C	100K	0.1079	1.30	1.40	Q	100K	0.0832	1.4	1.6
2R2N	2.20	D	100K	0.1222	1.20	1.30	-	-	-	-	-
2R7N	2.70	E	100K	0.1690	1.10	1.10	U	100K	0.1105	1.2	1.4
3R3N	3.30	F	100K	0.1950	0.90	1.05	D	100K	0.143	1.1	1.2
3R9N	3.90	G	100K	0.2301	0.86	1.00	S	100K	0.182	1.0	1.1
4R3N	4.30	S	100K	0.2470	0.84	0.92	-	-	-	-	-
4R7N	4.70	H	100K	0.2730	0.75	0.87	E	100K	0.208	0.9	1.0
5R6N	5.60	I	100K	0.3510	0.72	0.75	W	100K	0.273	0.8	0.9
6R2N	6.20	T	100K	0.3370	0.66	0.70	-	-	-	-	-
6R8N	6.80	J	100K	0.2800	0.64	0.68	F	100K	0.299	0.75	0.86
8R2N	8.20	K	100K	0.4420	0.60	0.65	V	100K	0.403	0.70	0.74
100M	10.0	L	100K	0.6240	0.52	0.55	G	100K	0.429	0.63	0.70
120M	12.0	M	100K	0.6330	0.49	0.53	H	100K	0.611	0.58	0.58
150M	15.0	N	100K	0.7800	0.43	0.49	I	100K	0.689	0.50	0.56
180M	18.0	-	-	-	-	-	J	100K	0.754	0.4	0.53
220M	22.0	O	100K	1.2480	0.35	0.25	K	100K	1.079	0.43	0.44
270M	27.0	-	-	-	-	-	L	100K	1.209	0.35	0.41
330M	33.0	-	-	-	-	-	M	100K	1.326	0.32	0.38

- ※ Test Freq. : 100KHz / 0.1V.
- ※ Operating Temp. : $-40^{\circ}\text{C} \sim +85^{\circ}\text{C}$
- ※ Inductance drop = 35% typ. at IDC.
- ※ TOLERANCE = M:20% , N:30%