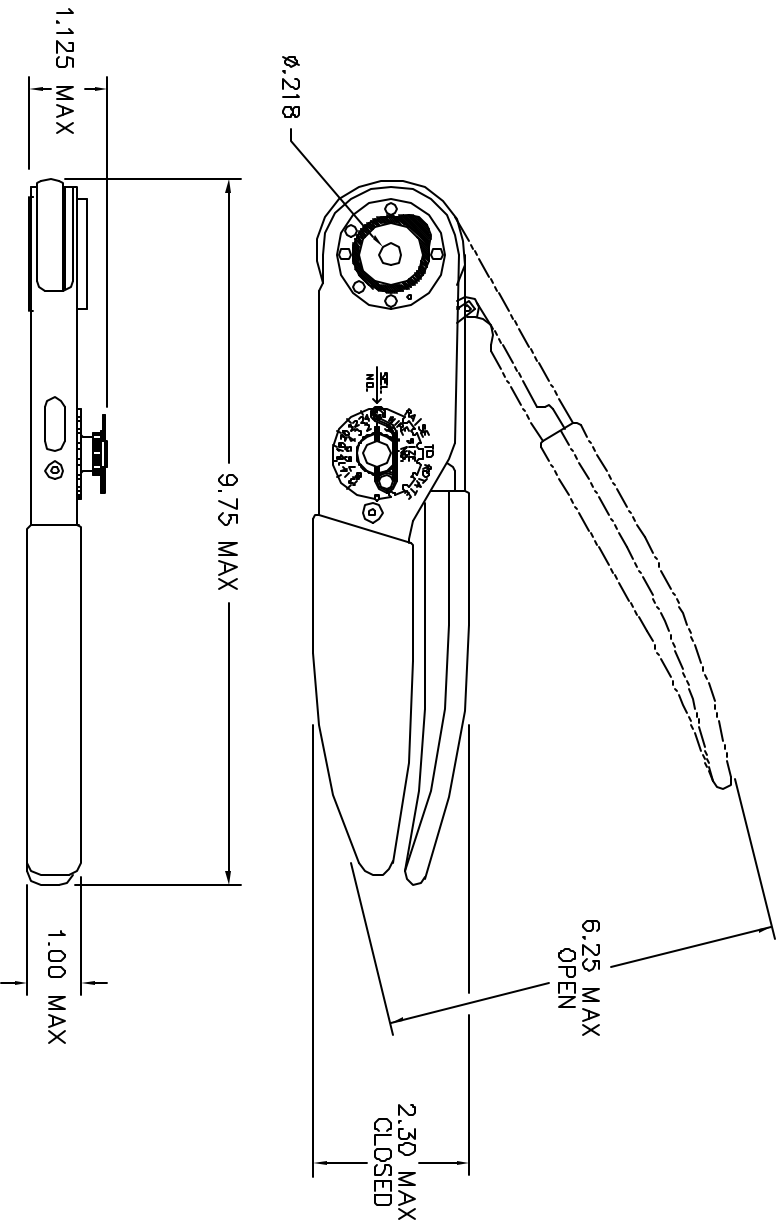


REVISIONS				
REV. STYL.	EQD. NUMBER	DESCRIPTION	BY DATE	APPD. DATE
1		ORIGINAL RELEASE	AJMOG-YOUNG 11-18-92	DEB 11-22-92
2		ADDED Ø.218	7-29-94	DEB 7-29-94



GAGING LIMITS OF INDENTERS		
SELECTOR NUMBER	GAGE - INSPECTION ±.0001 GO DIA NO GO DIA	GAGE - INSPECTION ±.0001 NO GO DIA
1	.0280	.0330
2	.0320	.0370
3	.0360	.0410
4	.0390	.0440
5	.0450	.0500
6	.0520	.0570
7	.0590	.0640
8	.0680	.0730

USE GAGE P/N G125 AT
SELECTOR NUMBER 4

**UNCONTROLLED DOCUMENT
WILL NOT BE UPDATED**

RESTRICTED & CONFIDENTIAL		MATERIAL		ITEM		PART NO.		QTY.		DESCRIPTION/REMARKS	
CONFIDENTIAL PROPERTY OF DANIELS MANUFACTURING CORP. NOT TO BE REPRODUCED OR USED FOR ANY OTHER PURPOSE EXCEPT AS AUTHORIZED IN WRITING BY DANIELS MANUFACTURING. MUST BE RETURNED TO DANIELS MANUFACTURING CORP. ON COMPLETION OF ORDER OR OTHER PURPOSE FOR WHICH SENT.		HEAT TREAT		DATE		DATE		DATE		Daniel's Manufacturing Corp. DANIELS MANUFACTURING CORP. ORLANDO, FLORIDA FSCM 11851	
		FINISH		DATE		DATE		DATE			
DO NOT SCALE DRAWING										TITLE: ENVELOPE DRAWING AFB WHERE USED: M22520/1-01 SIZE: B SCALE: NTS SHEET OF: 1 P/N: AFB-ENV REV: 2	