

## TC33 Series DC-Link Capacitor

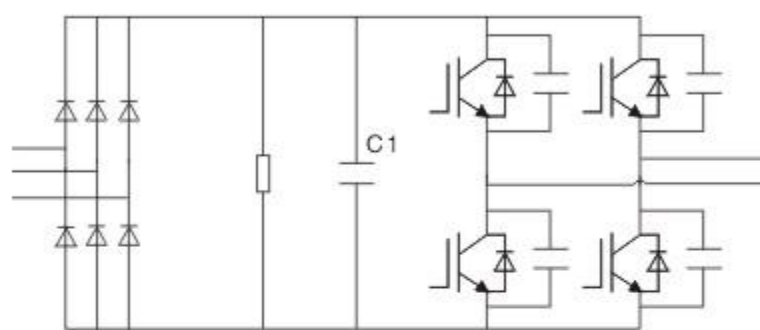
Metallized polypropylene dielectric with non-inductive construction and special metal spray technics, plastic or aluminum case, seal with epoxy resin, brass bolt terminal or brass nut terminal.

High stability, High ripple current, Withstand high voltage, Withstand much higher levels of surge voltage  
Very high RMS current ratings, and longer lifetime.

Widely used in UPS, inverter, electroplating power, welding machine inversion power and also induction heater, big switch power supply for high frequency filter and energy storage for welding machine.

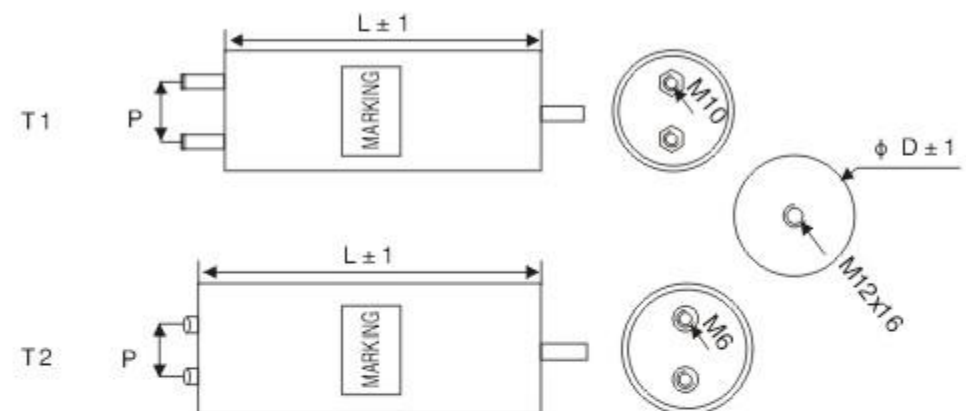


### Typical circuit



C1: DC-Link

### Outline drawing



### Specifications

Operating temp range	-40 °C~+70 °C/+85°C
Capacitance range	100 ~ 1000 μ F
Rated voltage	400~1200V.DC
Capacitance tolerance	± 5%(J)、 ± 10% ( K )
Dissipation factor	tg δ ≤ 0.002 ( at 100Hz)
Withstand voltage	1.35~1.5Un ( 60S )
Insulation resistance	CxRs ≥ 5000S ( at 20°C 100V.DC 60S)
Withstand strike current ability	dv/dt > 10v/ μ s
Flame retardation	UL94V-0
Stray inductance	≤ 40nH
Effective current	20~100A
Referenced standard	IEC 61071 GB17702.1 CGE

## TC33 Series DC-Link Capacitor



### Un/800V.DC

Cn	Part number	φ D	H(mm)	ESR(mΩ)	ESL(nH)	dv/dt(V/μs)	Ipk(A)	Irms(A)	Weight(g)	Remark
100	TC33-100K80A	55	85	4.5	38	10	1000	30	290	T1/T2
100	TC33-100K80A	76	85	2.4	40	25	2500	50	550	T1/T2
200	TC33-200K80A	55	130	4.1	45	5	1000	30	410	T1/T2
200	TC33-200K80A	88	130	1.9	40	18	3600	50	1070	T1/T2
250	TC33-250K80A	65	145	3.8	30	8	2000	30	640	T1/T2
250	TC33-250K80A	88	130	1.8	38	18	4500	70	1070	T1/T2
300	TC33-300K80A	65	130	3.6	30	5	1500	30	620	T1/T2
300	TC33-300K80A	65	145	2.1	30	8	2400	30	690	T1/T2
300	TC33-300K80A	96	130	1.6	38	18	5400	75	1270	T1/T2
330	TC33-330K80A	65	130	3.5	45	5	1650	35	620	T1/T2
350	TC33-350K80A	76	130	3.5	45	5	1750	35	840	T1/T2
400	TC33-400K80A	76	145	1.8	30	8	3200	45	940	T1/T2
500	TC33-500K80A	86	145	1.65	30	8	4000	50	1190	T1/T2
500	TC33-500K80A	116	210	1.3	40	18	9000	100	3000	T1/T2
600	TC33-600K80A	88	145	1.58	30	7	4200	65	1190	T1/T2
750	TC33-700K80A	88	210	1.36	28	8	6000	80	1720	T1/T2
800	TC33-850K80A	88	210	1.25	28	8	6400	80	1720	T1/T2
1000	TC33-1000K80A	96	210	0.75	28	8	8000	100	2050	T1/T2
1000	TC33-1000K80A	96	180	1.75	40	6	6000	90	1760	T1/T2
1200	TC33-1200K80A	96	270	0.75	30	6	7200	100	2640	T1/T2
1500	TC33-1500K80A	116	210	0.75	28	8	12000	100	3000	T1/T2

### Un/1200V.DC

Cn	Part number	φ D	H(mm)	ESR(mΩ)	ESL(nH)	dv/dt(V/μs)	Ipk(A)	Irms(A)	Weight(g)	Remark
100	TC33-100K120A	55	145	3.8	28	15	1500	30	490	T1/T2
100	TC33-100K120A	76	145	2.6	38	20	2000	70	940	T1/T2
180	TC33-180K120A	65	135	3.5	28	15	2700	30	640	T1/T2
200	TC33-200K120A	65	145	3.4	28	15	3000	30	690	T1/T2
200	TC33-200K120A	88	180	1.9	35	20	4000	75	1480	T1/T2
250	TC33-250K120A	76	145	3.2	28	15	3750	50	940	T1/T2
300	TC33-300K120A	86	145	3.1	28	15	4500	50	1140	T1/T2
400	TC33-400K120A	76	210	2.8	26	10	4000	60	1290	T1/T2
500	TC33-500K120A	88	210	2.5	26	10	5000	75	1720	T1/T2
600	TC33-600K120A	96	210	2.2	26	10	6000	85	2050	T1/T2
750	TC33-750K120A	116	210	1.9	26	10	7500	100	3000	T1/T2
800	TC33-800K120A	116	210	1.8	26	10	8000	100	3000	T1/T2
1000	TC33-1000K120A	116	270	1.45	28	10	10000	100	3770	T1/T2
1200	TC33-1200K120A	116	270	1.12	28	10	12000	100	3770	T1/T2
1500	TC33-1500K120A	116	295	0.96	26	10	15000	100	4050	T1/T2

\* 仅列出部分型号，另可根据客户要求定制产品！